

Communications & Power Industries Magnetron



FEATURES:

- Frequency 2.7 – 2.9 GHz
- Peak power output 800 kW
- Duty cycle .0005
- Anode voltage 30 kV
- Anode current 70 amps
- Pulse width 1.0 microseconds
- Heater 16 volts @ 3.1 A
- Air cooled
- Mechanically tunable

BENEFITS:

- Compact shape
- Low cost

APPLICATIONS:

- Air traffic control radars
- Airport surveillance radars

CPI S-Band 800 kW Magnetron: VMS2022

Electrical Specifications

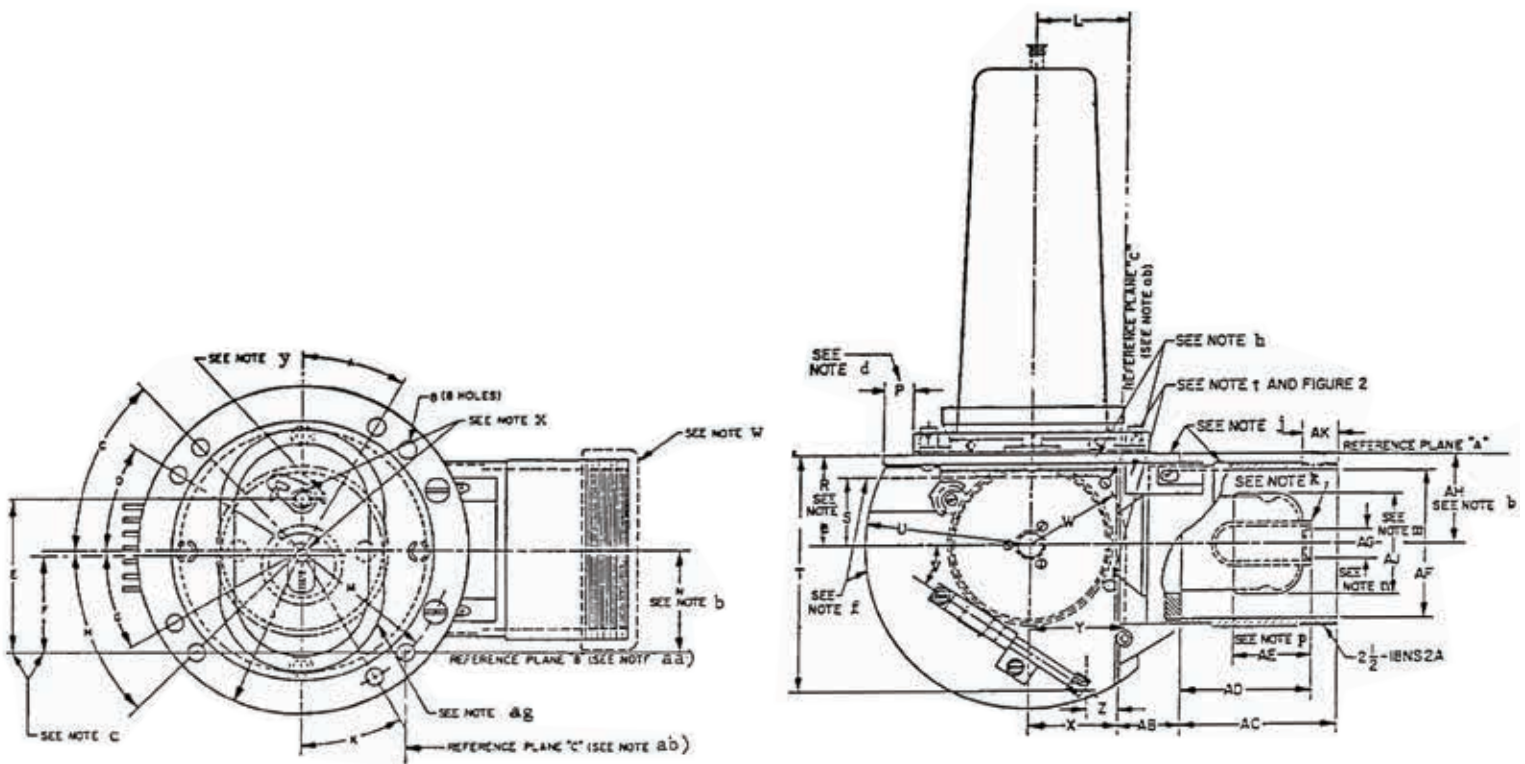
Frequency	2.7 – 2.9 GHz
Peak Power Output	800 kW
Average Power Output	0.8 kW
Pulse Voltage	26.5 – 31.5 kV
Peak Anode Current	70 A
Average Anode Current	35 mA
Pulse Width	2.5 μ S
Duty Cycle	0.001
Maximum Filament Voltage	17.6 V
Maximum Filament Current	3.4 A
Minimum Warm-Up Time	300 S
Maximum Load VSWR	1.15

Mechanical and Environmental Specifications

Cooling	Forced air
Maximum Body Temperature	90°C
Mounting Position	Any
Support	Mounting plate or guard plate
Tuning	5 turns

With a history of producing high quality products, we can help you with your magnetron.

Contact us at BMDMarketing@cpii.com or call us at +1 978-922-6000.



Beverly Microwave Division
 150 Sohler Road
 Beverly, Massachusetts
 USA 01915

tel +1 978-922-6000
 email BMDMarketing@cpii.com
 fax +1 978-922-8914
 web www.cpii.com

For more detailed information, please refer to the corresponding CPI technical description if one has been published, or contact CPI. Specifications may change without notice as a result of additional data or product refinement. Please contact CPI before using this information for system design.

©2020 Communications & Power Industries LLC. Company proprietary; use and reproduction is strictly prohibited without written authorization from CPI.